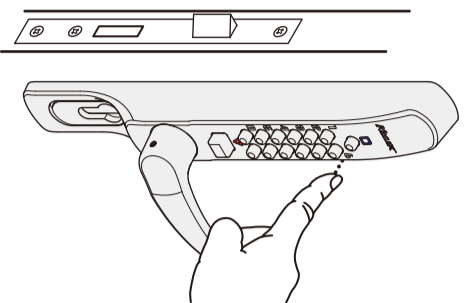


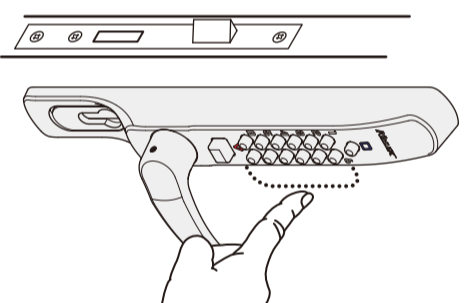
Keylex K900 Mechanical Digital Lock - Installation & Operation


Code Entry & Lock Operation - Access & Egress

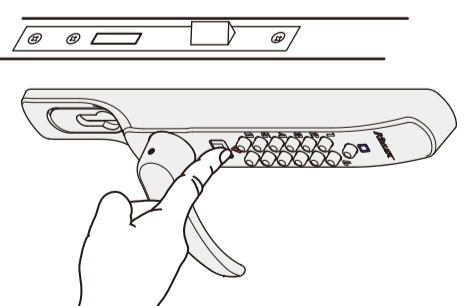
step 1 - Clear any spurious code using the  button



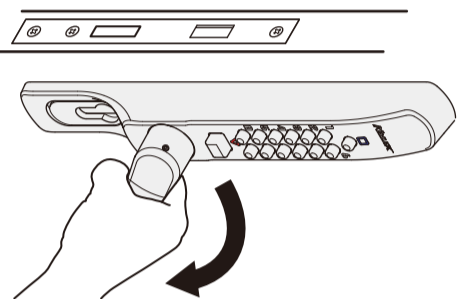
step 2 - Enter the user code (3-6 digits preferred)



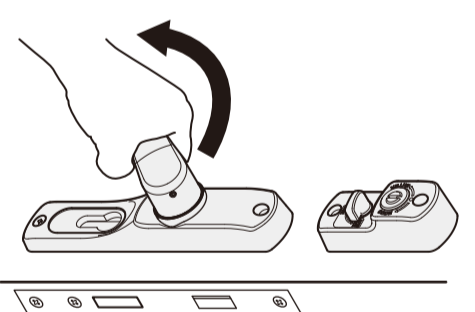
step 3 - Confirm the code entry using the  button



step 4 - Depress the lever to retract the latch & open the door



step 5 - The inside lever will always retract the latch.
NB - the bolt must be unlocked to effect egress




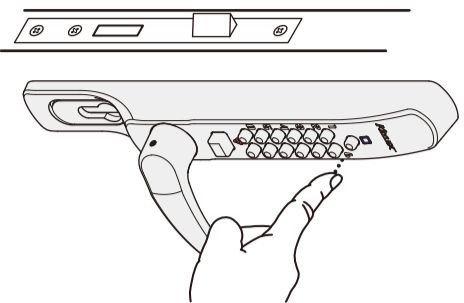
relcross door controls[®]
commercial door hardware

Relcross Ltd., Hambleton Avenue, Devizes, Wiltshire SN10 2RT United Kingdom
Tel: 01380 729600 **Fax:** 01380 729888 **Email:** sales@relcross.co.uk
www.relcross.co.uk

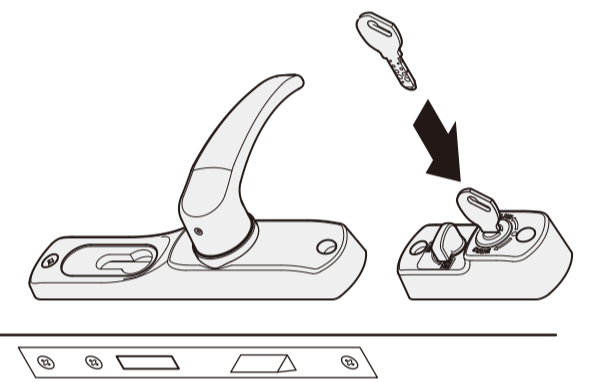
Keylex K900 Mechanical Digital Lock - Installation & Operation

Changing the Code at the Door 1/2

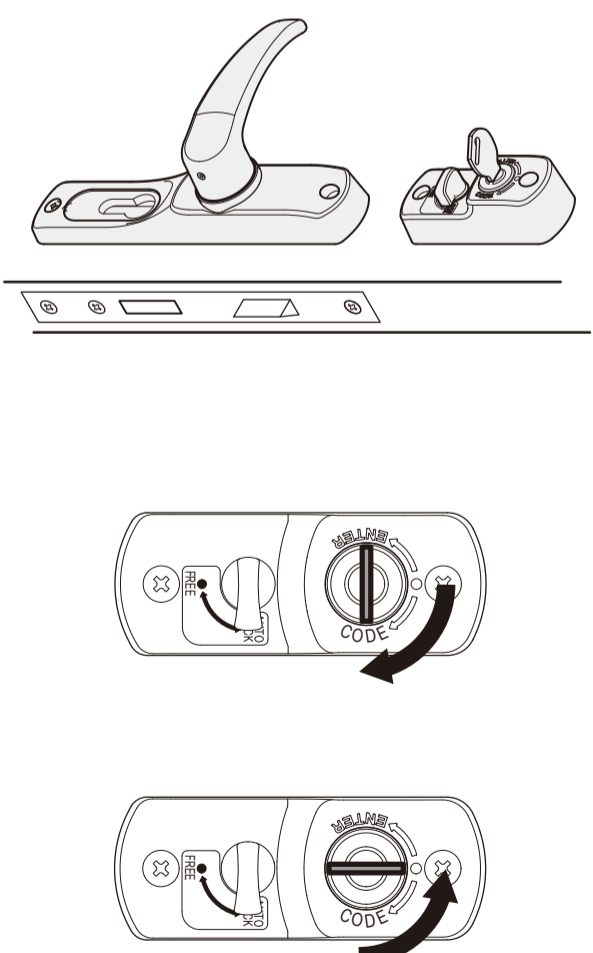
step 1 - Clear any spurious code using the  button



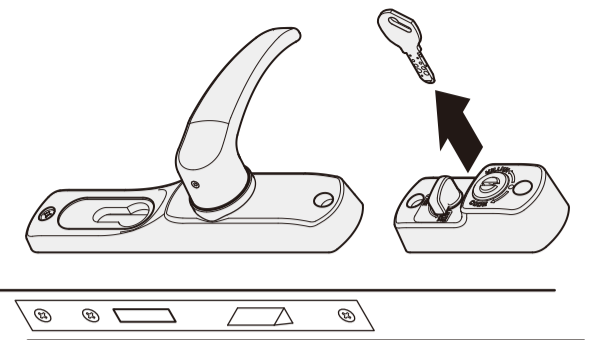
step 2 - Insert the code change key




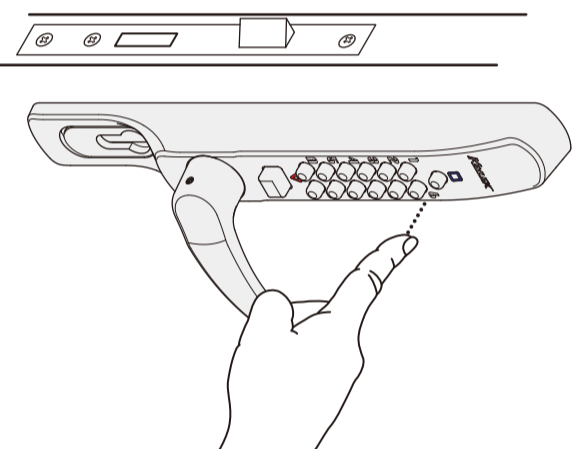
step 3 - Turn the code change key clockwise through 90° then return



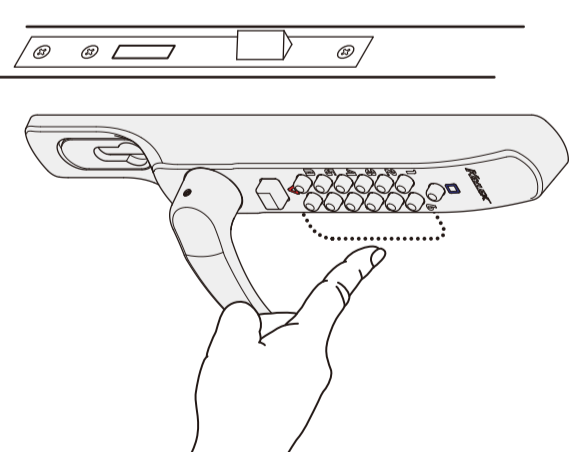
step 4 - Remove the code change key



step 5 - Clear any spurious code using the  button



step 6 - Enter the NEW user code (3-6 digits preferred)



relcross door controls.

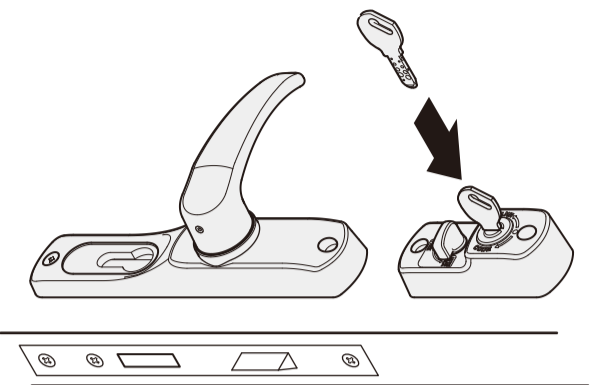
commercial door hardware

Relcross Ltd., Hambleton Avenue, Devizes, Wiltshire SN10 2RT United Kingdom
Tel: 01380 729600 Fax: 01380 729888 Email: sales@relcross.co.uk
www.relcross.co.uk

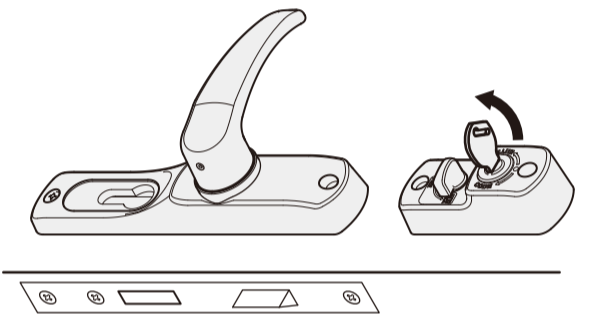
Keylex K900 Mechanical Digital Lock - Installation & Operation

Changing the Code at the Door 2/2

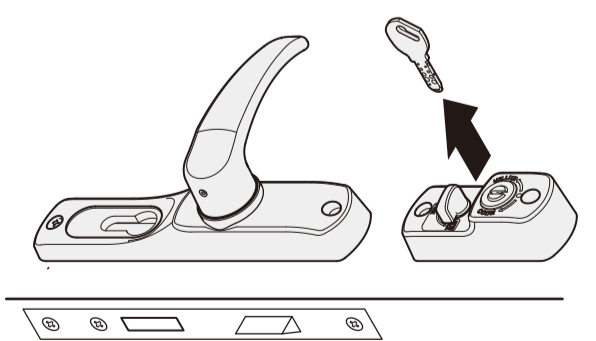
step 7 - Insert the code change key



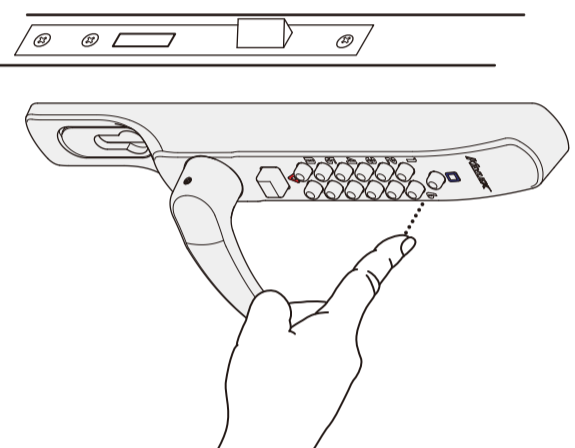
step 8 - 'Lock-in' the NEW code by turning the code change key anti-clockwise through 90° then return



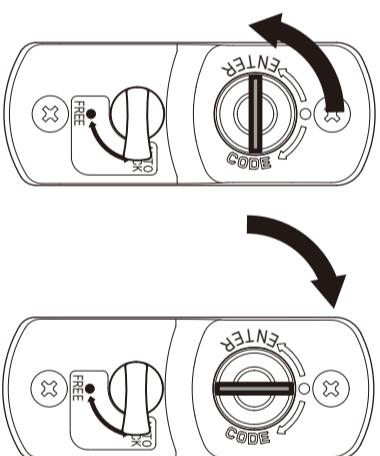
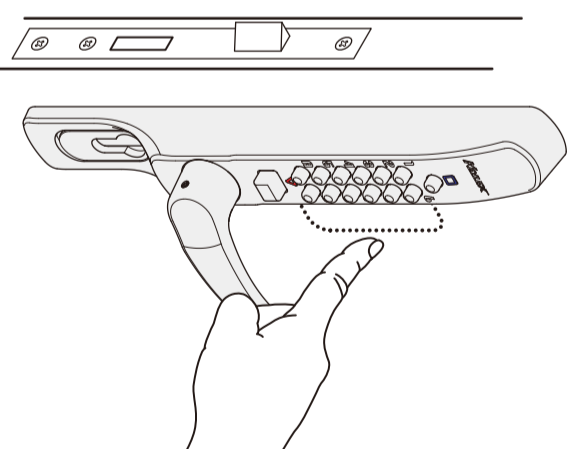
step 9 - Remove the code change key



step 10 - Clear any spurious code using the  button



step 11 - Test the new user code BEFORE closing the door



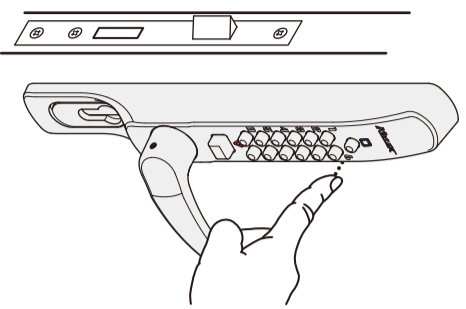
relcross door controls[®]
commercial door hardware

Relcross Ltd., Hambleton Avenue, Devizes, Wiltshire SN10 2RT United Kingdom
Tel: 01380 729600 **Fax:** 01380 729888 **Email:** sales@relcross.co.uk
www.relcross.co.uk

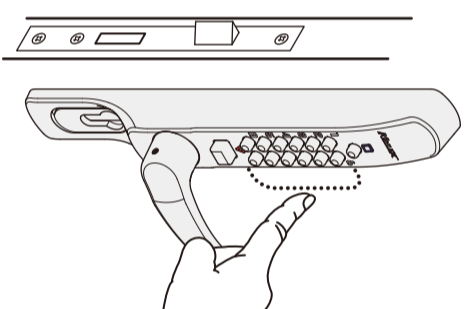
Keylex K900 Mechanical Digital Lock - Installation & Operation


Setting Free Passage & Auto Lock Functions

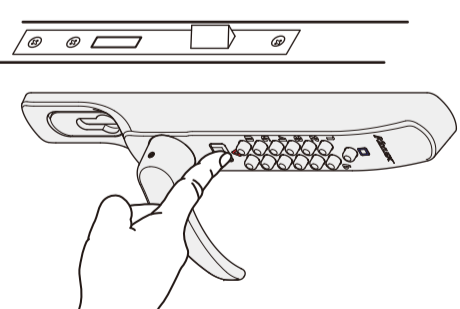
step 1 - Clear any spurious code using the  button



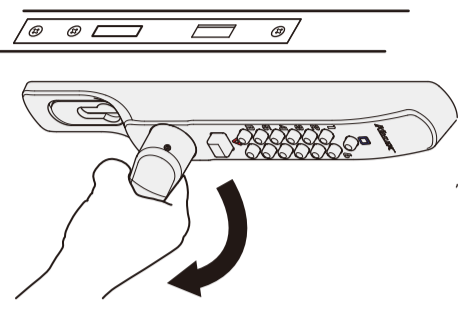
step 2 - Enter the user code (3-6 digits preferred)



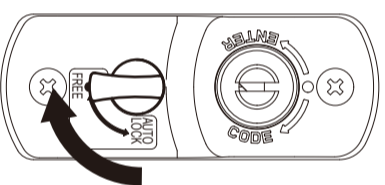
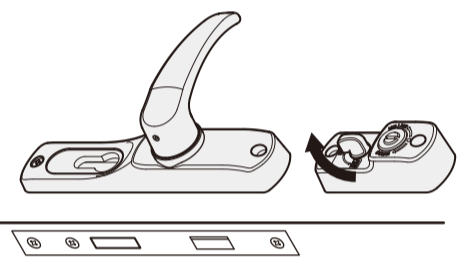
step 3 - Confirm the code entry using the  button



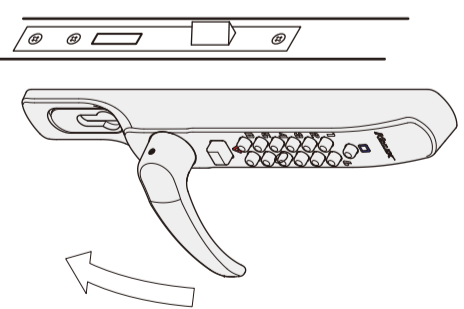
step 4 - Depress the lever to retract the latch & open the door -
Keep the lever depressed with one hand



step 5 - Rotate the lower snib through 90° in a clockwise direction
to 'Free'. Release the outside lever.



step 6 - The outside lever is now free without code input.
To reverse follow steps 1 - 4 on this
sheet and return the snib to 'Auto Lock'



relcross door controls.
commercial door hardware

Relcross Ltd., Hambleton Avenue, Devizes, Wiltshire SN10 2RT United Kingdom
Tel: 01380 729600 Fax: 01380 729888 Email: sales@relcross.co.uk
www.relcross.co.uk