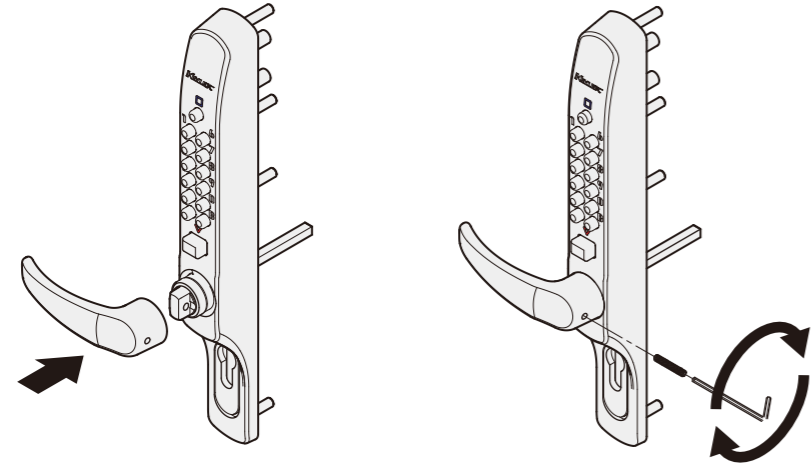
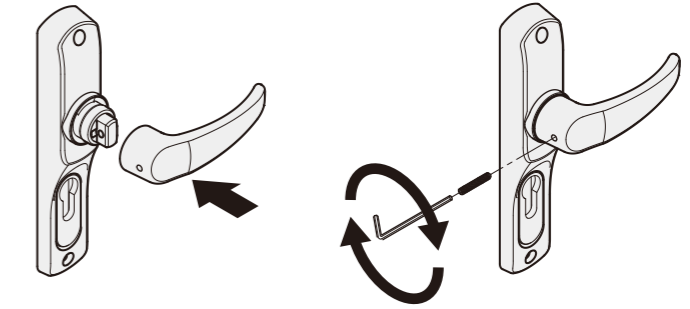
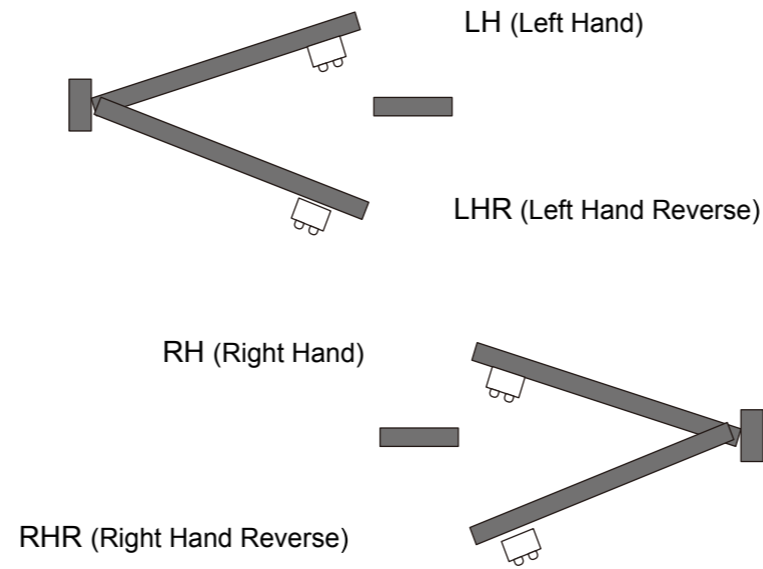


Keylex K900 Mechanical Digital Lock - Installation & Operation

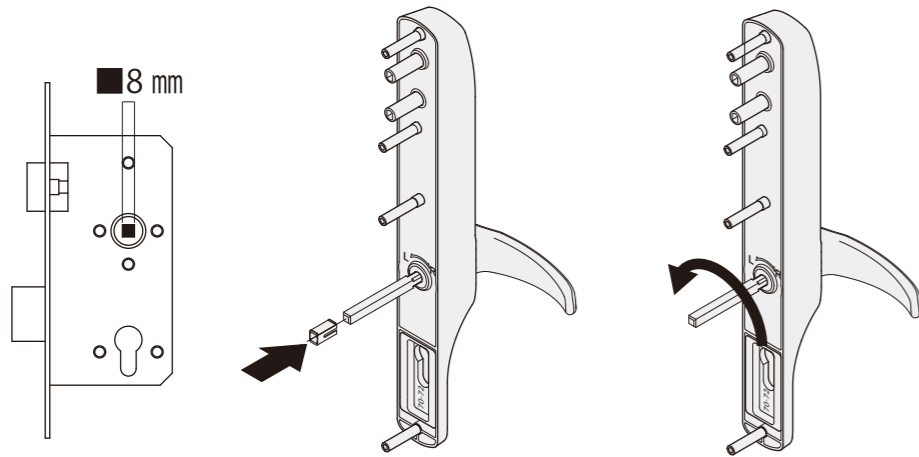
Handing Levers & Installation - LH & LHR Shown in Drawings



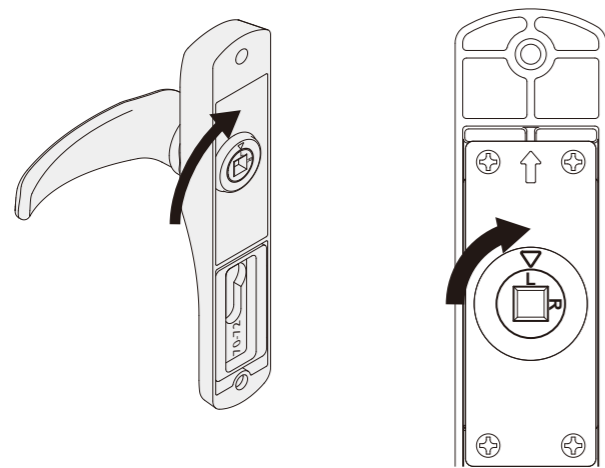
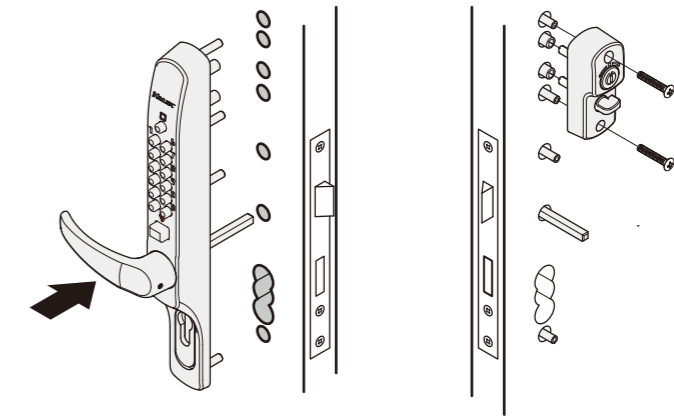
step 1 - Attach external lever using hex head screw



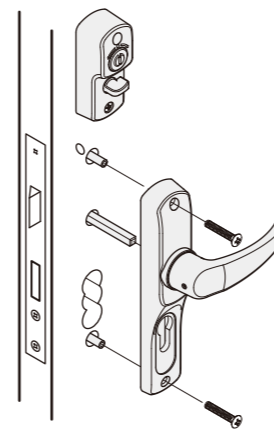
step 2 - Attach internal lever using hex head screw



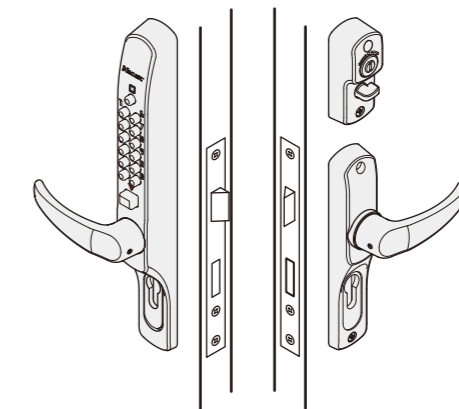
- ◀ step 3 - Prepare the spindle - 7mm default or 8mm using the nylon sleeve converter
- ◀ step 4 - Rotate the spindle as shown before feeding it through the lock follower (LH or LHR)
- ▶ step 5 - Bolt the outside lock body through the door at the code change block and fix loosely pending alignment



step 6 - Align the inside lever follower to suit the handing (L = LH or LHR shown)



step 7 - Bolt the inside lever through the door and fix loosely pending the cylinder or cylinder/turn installation



step 8 - Fix bolts securely and check all aspects of the lock operation before closing the door