



# ANSI ELECTRIC STRIKE

ANSI STRIKE



AS900



AS900M

SPECIFICATION	FEATURES	OTHER PRODUCTS
---------------	----------	----------------

AS900 / AS900M

- Ansi Style Electric Strike
- Comes with Short and Long Faceplate
  - Short Plate 124mm
  - Long Plate 201mm
- Use with access and door entry systems
- Holding force: 1500lb / 680kg
- 12VDC / 24VDC Selectable
- Current:
  - 12V 280mA
  - 24V 140mA

AS900M

- Monitored (NO/COM/NC Contacts)

AS900 / AS900M

- Suitable for metal / timber applications
- Fail Safe (Power to Lock)
- Fail Secure (Power to Open)
- Selected by adjustment at rear of unit

- Stainless Steel Plate (3mm Thick)
- Bull nose corners
- Unbranded faceplates

Additional Products:

- EL225 - Extension Lips (22.5mm)
- Can be doubled up for wider requirements



DIMENSIONS	CONTENTS
------------	----------

AS900 / AS900M

- 124x32x43 (mm) Short Plate
- 201x32x43 (mm) Long Plate
- 514g (Boxed)
- 314g (Unboxed)

AS900 / AS900M

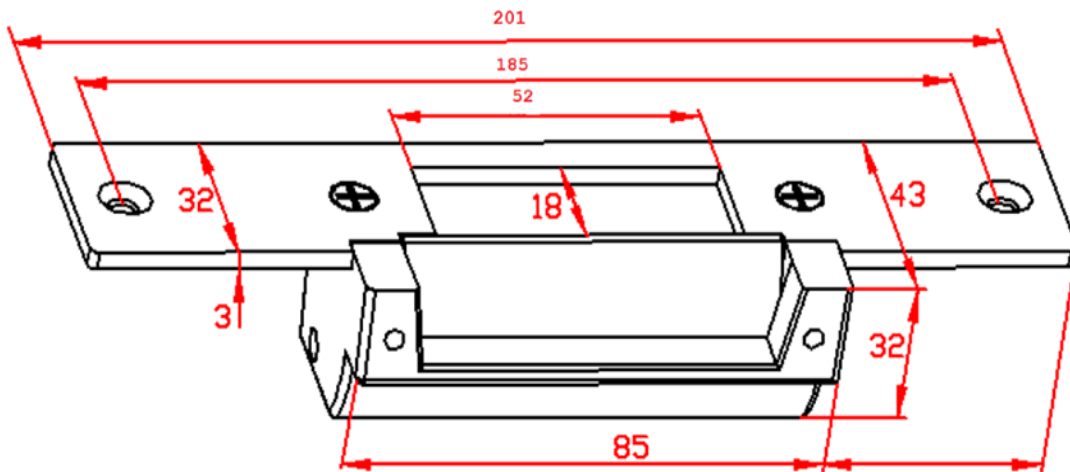
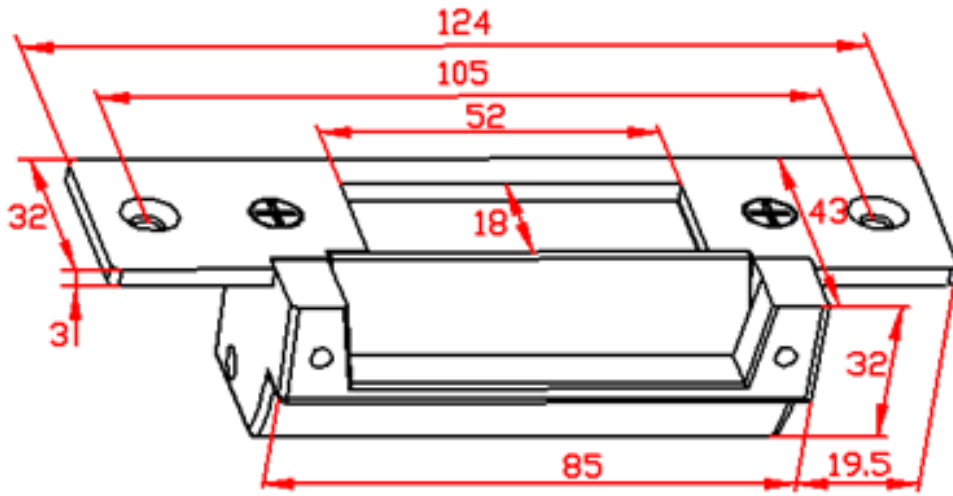
- Ansi Strike (with short plate fitted)
- Diode
- 2 x Brackets (metal fixings)
- 4 x Screws
- Long Plate





# ANSI ELECTRIC STRIKE

ANSI STRIKE



## CONTENTS

EL225 (Sold separately)  
· 22.5mm



EL225

ACCESSORIES